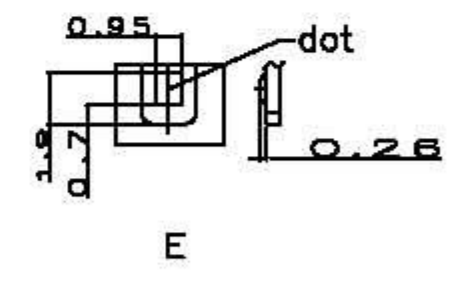
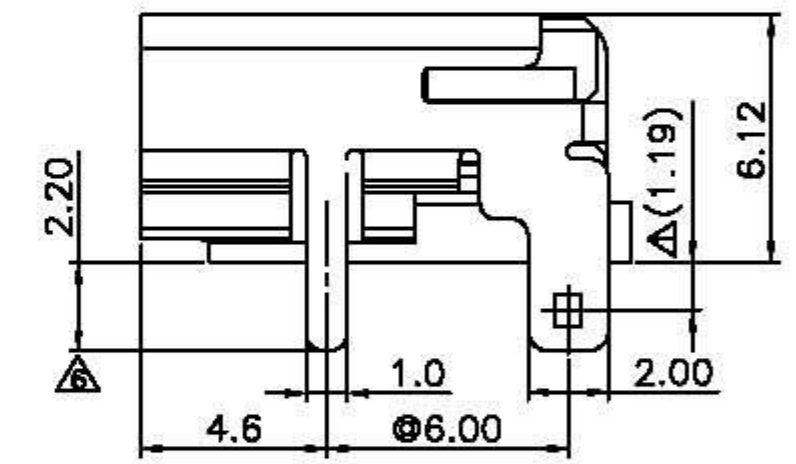
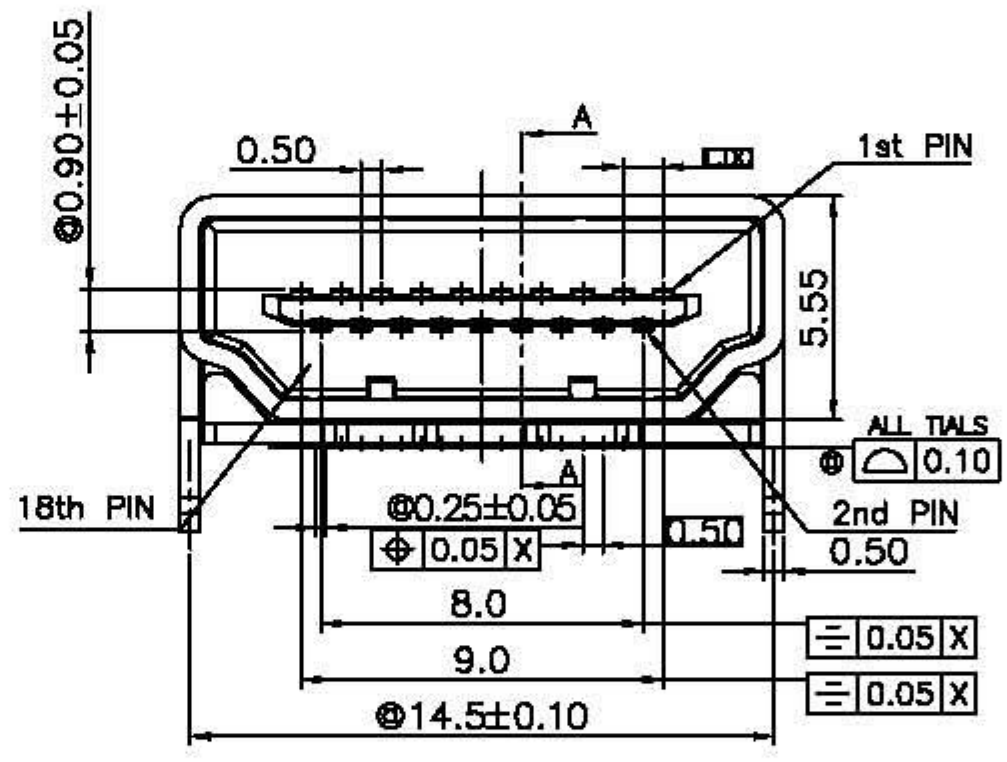
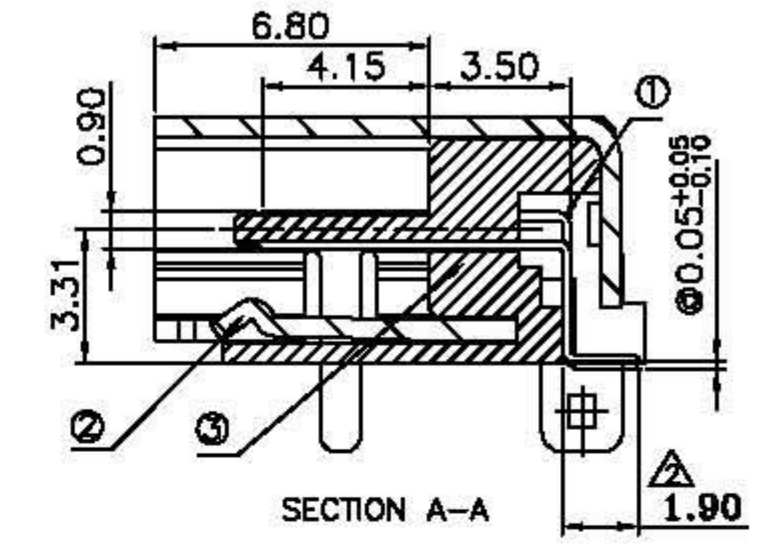
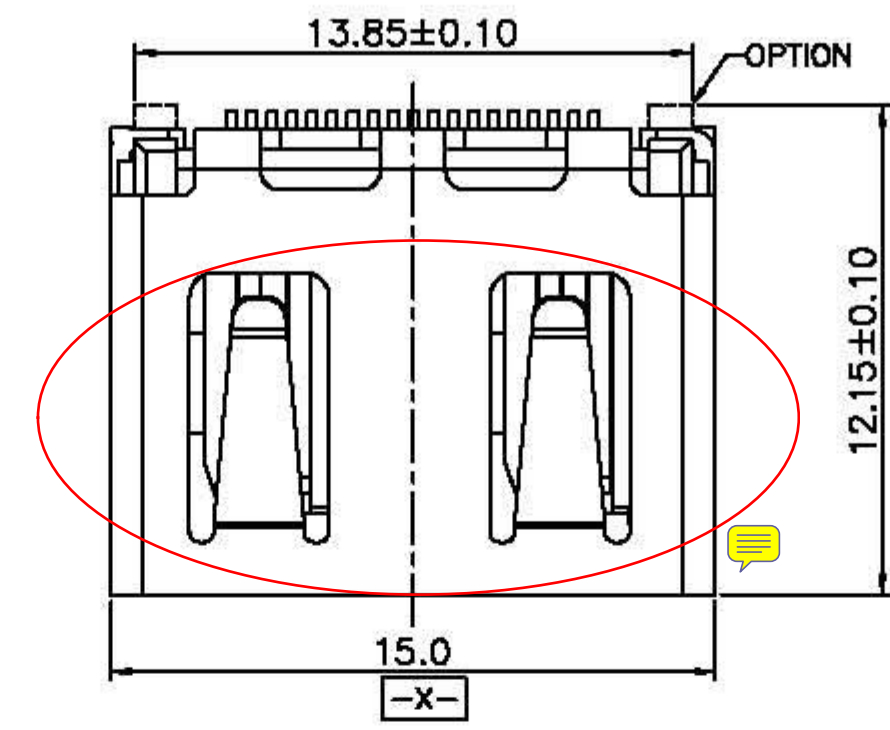
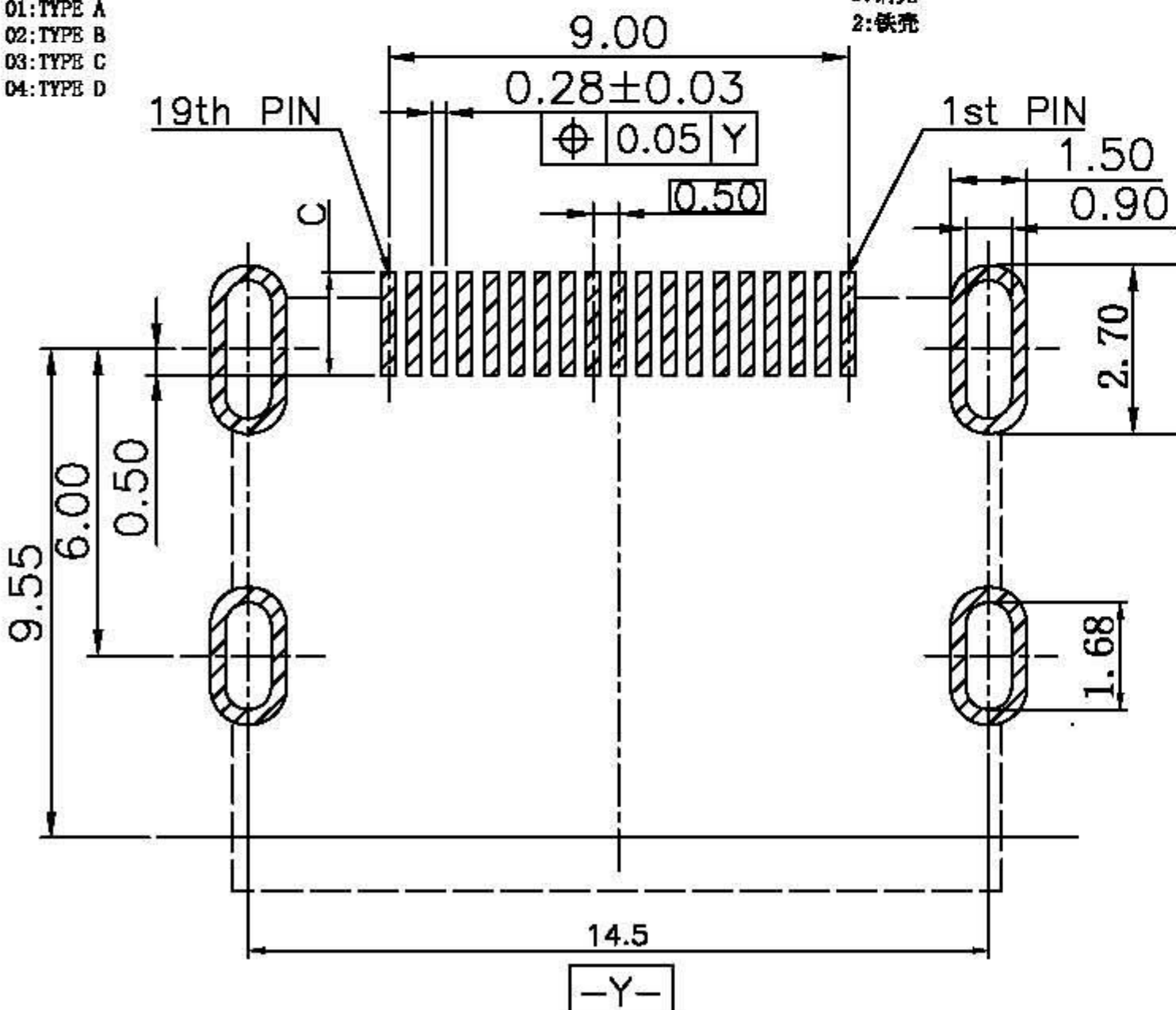


HDMI CONNECTOR FEMALE

版本	日期	说明	ECN NO.	NAME
A	08/4/16	新版发行		

- NOTE:
- MATERIAL :
 TERMINAL : BRASS C2680-1/2H(HV120~140),T=0.2±0.02mm.
 SHELL : BRASS C2680-EH(HV160~175),T=0.5±0.02mm.
 HOUSING : LCP(E130I)+30%G.F.(UL94-0),BLACK.
 - PLATING :
 TERMINAL : Au PLATED ON CONTACT AREA (SEE ORDER INFORMATION),
 100u" Sn PLATED ON SOLDER TAIL AREA,
 BOTH OVER 50u" MIN. NI UNDERPLATED OVERALL.
 SHELL : 100u"MIN. WELDABLE Ni OVERALL.
 - MECHANICAL CHARACTERISTICS :
 INSERTION FORCE : 4.5Kgf MAX.
 WITHDRAWING FORCE : 1Kgf ~ 4Kgf.
 - CRITICAL DIM QUANTITY: 0 ; MAJOR DIM QUANTITY: 4.
 - ORDER INFORMATION :

- 端子DIP脚尺寸
- 1: 1.30mm
 - 2: 1.90mm
- CONTACT FINISH
- 1: SELECTIVE GOLD 1U"
 - 2: SELECTIVE GOLD 3u"
 - 3: SELECTIVE GOLD 5u"
 - 4: SELECTIVE GOLD 15u"
 - 5: SELECTIVE GOLD 30u"
 - 6: ALL GOLD
- SHELL FINISH
- 1: NICKEL PLATED
 - 2: TIN-LEAD PLATED
 - 3: GOLD PLATED
- SHELL材质
- 1: 铜壳
 - 2: 铁壳
- SERIES NO
- 11: SMT
- SHELL类别
- 1: 低螺孔, 尺寸11.26mm
 - 2: 高螺孔, 尺寸13.38mm
 - 3: 无螺孔
- 铁壳脚规格
- 1: 4弹片, 4直脚
 - 2: 4弹片, 4直脚, 通孔
 - 3: 4弹片, 4直脚, 带凸点
 - 4: 2弹片, 4直脚平面
 - 5: 2弹片, 4直脚平面, 通孔
 - 6: 2弹片, 4直脚平面, 带凸点
 - 7: 2弹片, 2直脚平面, 2鱼叉脚
 - 8: 4弹片, 外壳SMT脚
 - 9: 外壳壳体
- 塑胶TYPE类别
- 01: TYPE A
 - 02: TYPE B
 - 03: TYPE C
 - 04: TYPE D



TYPE	DIM B	DIM C	DIM D	ITEM	NAME	P/N	Q'TY
A	11.60	2.00	1.30	1	TERMINAL	M11-030101	19
B	12.15	2.60	1.90	2	SHELL	M11-100003	1
				3	HOUSING	M11-010003	1

∇ : Critical Dim ⊕ : Major CAV 一般尺度公差 ±0.10 mm 一般角度公差 ±2°	东莞市硕盈电子科技有限公司 DongGuan ShuoYing Electronic Technologies Co.Ltd	PART NO.: 11-33031112
DRAWN BY CHECKED BY APPROVED BY SORTING NO.	DRAWING NO. DRAWING SIZE UNIT PAGE	1:2 A4 mm 1 OF 1

已发行